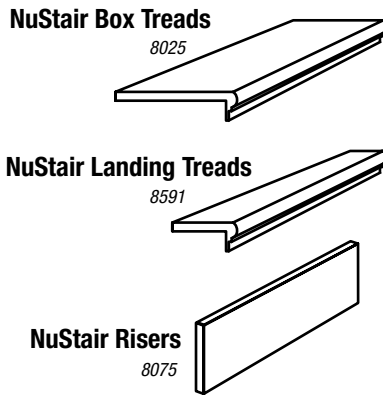


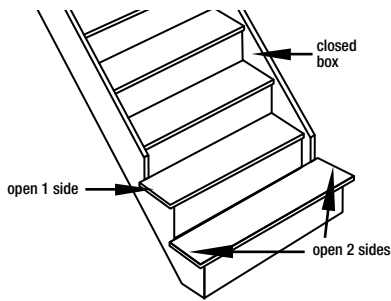
Closed Box Staircase



- 1 Identify your staircase**
 -Closed, open, or combination
 -Identify your starting steps
- 2 Count and measure**
 -Count number of stair treads and risers
 -Measure the width of the stair treads and risers
- 3 Complete the Project Order Form**
 -easy way to detail your materials list

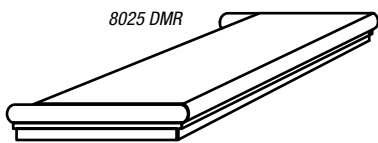
Staircase Starting Steps

Staircases can begin with open end treads, starting steps, or combinations of both. To determine whether a stair tread is left or right facing, stand at the bottom of the stairs and look up the staircase.



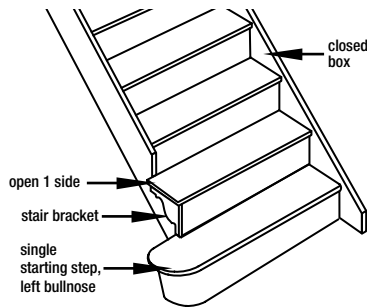
Open Side(s)

Any treads open on 1 side or open 2 sides



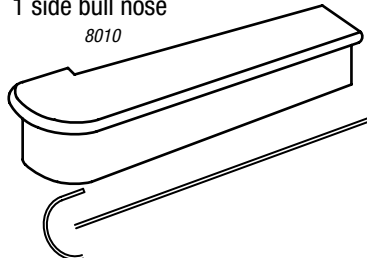
NuStair Double Miter Return Treads

-scotia molding on front and both sides
 -use for all open stair applications
 -trim one end off for open 1 side



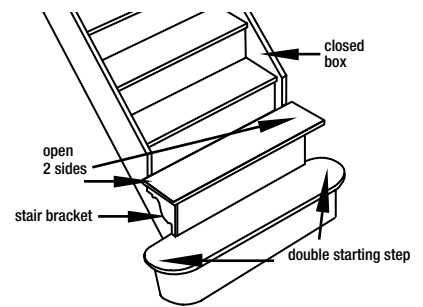
Single Starting Step

1 side bull nose



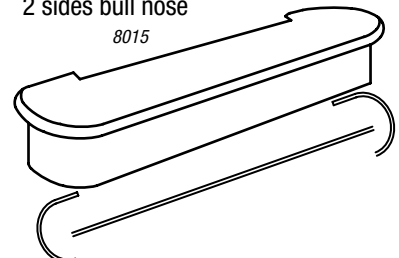
NuStair Single Bullnose Tread

-one side has round bullnose
 -can be used with right or left bullnose
 -comes with riser and universal molding trim kit



Double Starting Step

2 sides bull nose



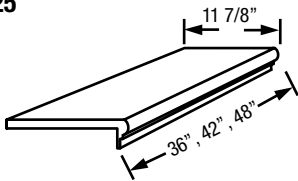
NuStair Double Bullnose Tread

-both sides have round bullnose
 -comes with riser and universal molding trim kit



Customer Name: _____ Store #: _____
 Address: _____ Phone: _____
 City, State: _____ Location: _____
 Measured by: _____ Date: _____ PO#: _____

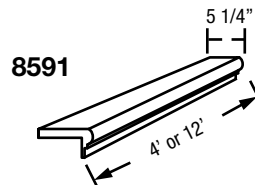
5/8" NuStair Box Tread 8025



- Species:
 Red Oak
 Brazilian Cherry
- Finish:
 Unfinished Natural
 Butterscotch Gunstock

36" qty. _____ 42" qty. _____ 48" qty. _____

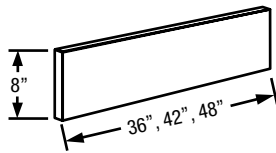
5/8" NuStair Landing Tread 8591



- Species:
 Red Oak
 Brazilian Cherry
- Finish:
 Unfinished Natural
 Butterscotch Gunstock

4' qty. _____ 12' qty. _____

3/4" NuStair Riser 8075

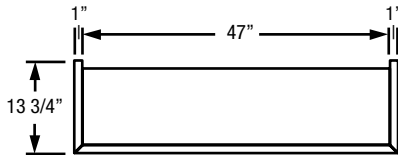


36" qty. _____ 42" qty. _____ 48" qty. _____

note: standard staircases have 1 more riser than treads

- Species: Red Oak Brazilian Cherry Primed
 Finish: Unfinished Natural Butterscotch Gunstock

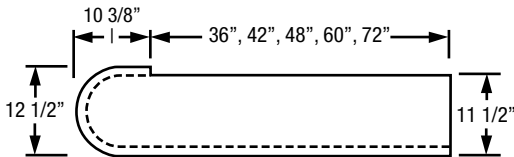
5/8" NuStair Double Miter Return Tread 8025DMR



48" qty. _____

- Species: Red Oak Brazilian Cherry Primed
 Finish: Unfinished Natural Butterscotch Gunstock

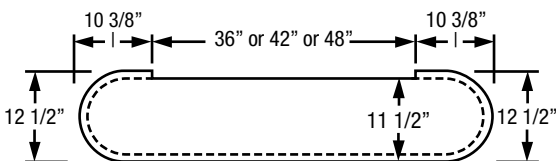
NuStair Single Starting Step 8010



36" qty. _____ 42" qty. _____ 48" qty. _____ 60" qty. _____ 72" qty. _____

- Left Right
- Species: Red Oak Brazilian Cherry
- Tread Finish: Unfinished Natural Butterscotch Gunstock
- Riser Finish: Primed Matching Tread

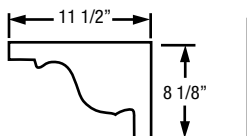
NuStair Double Starting Step 8015



36" qty. _____ 42" qty. _____ 48" qty. _____

- Species: Red Oak Brazilian Cherry
- Tread Finish: Unfinished Natural Butterscotch Gunstock
- Riser Finish: Primed Matching Tread

Stair Bracket 8028



qty. _____

Mold & Scotia 8585



4' qty. _____



NuScribe

qty. _____